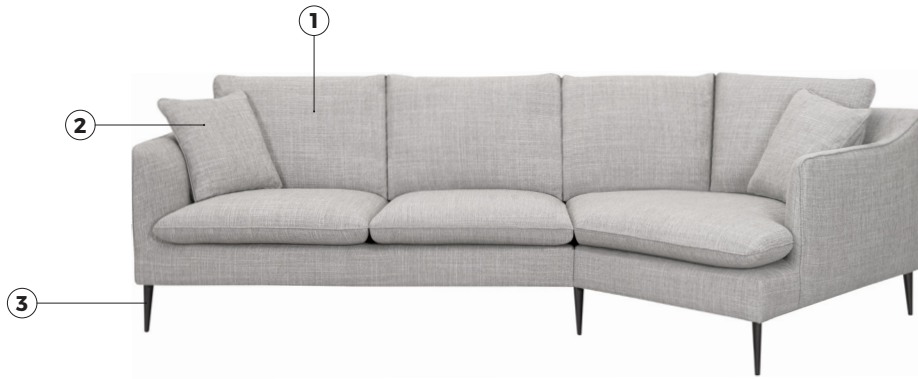


LINDEN

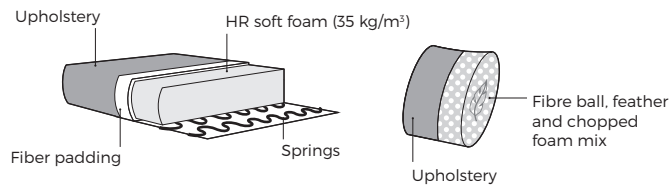


VILMERS

LINDEN



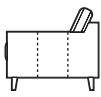
Comfort



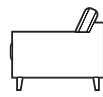
1. Upholstery



Leather *



Fabric



2. Multicolour Option



3. Legs



447
Dark brown metal



373
Oak oiled

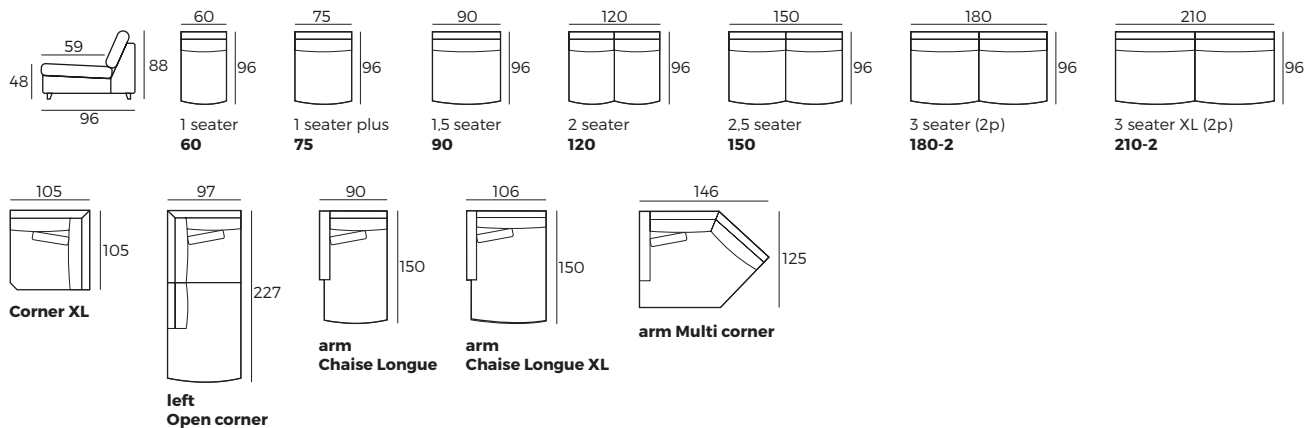
* Leather upholstery may require more stitches than fabric upholstery.

IMPORTANT:

Upholstered furniture is handmade using soft materials, therefore measurements can vary in all modules by up to **+/-2 cm**.
Modules and combinations shown in 2D drawings are left-sided. Modules and combinations can be mirrored from left to right.

Modules

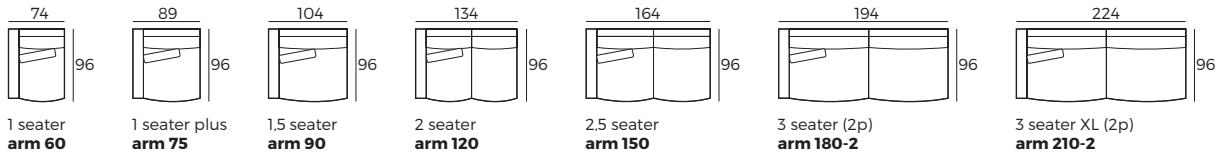
Scale 1:100



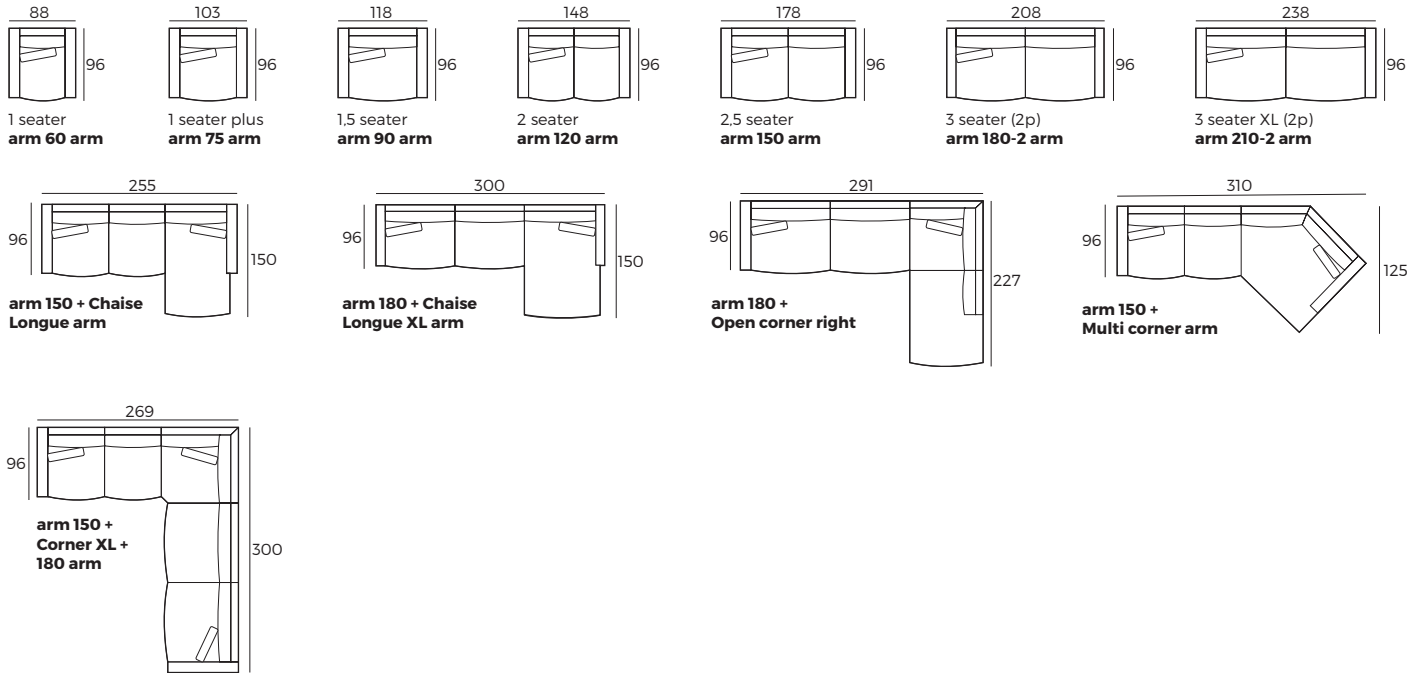
LINDEN

Modules with armrest

Scale 1:100



Combinations



Accessories

