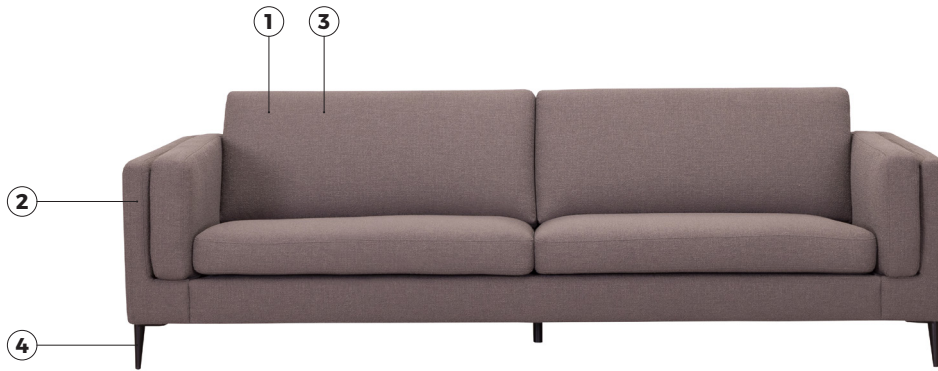


# NORDIC



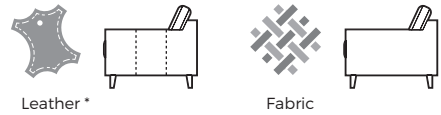
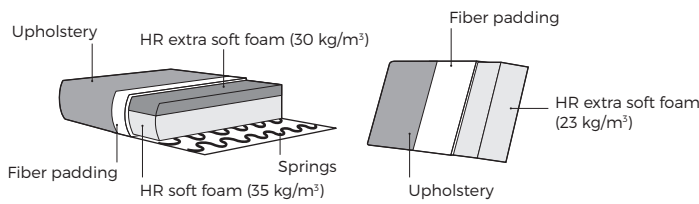
VILMERS

# NORDIC



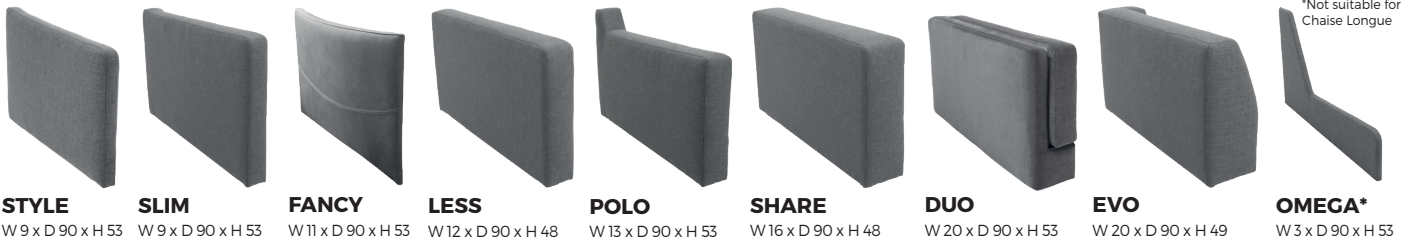
## Comfort

## 1. Upholstery



\* Leather upholstery may require more stitches than fabric upholstery.

## 2. Armrests



\*Not suitable for Chaise Longue

## 3. Multicolour option



## 4. Legs

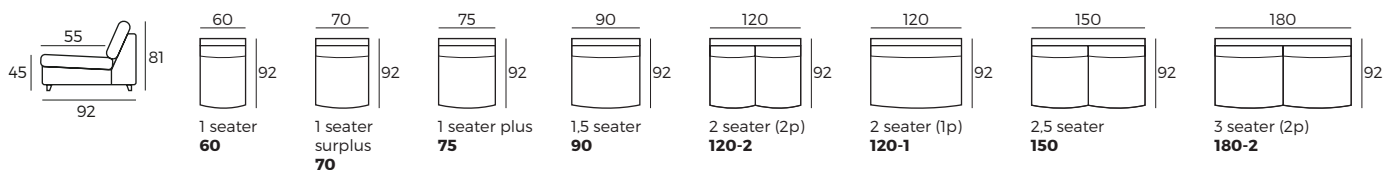


### IMPORTANT:

Upholstered furniture is handmade using soft materials, therefore measurements can vary in all modules by up to **+/-2 cm**.  
 Modules and combinations shown in 2D drawings are left-sided. Modules and combinations can be mirrored from left to right.  
 For an additional fee, the sides of each seater module can be covered in fabric.

## Modules (Measurements with SHARE armrest)

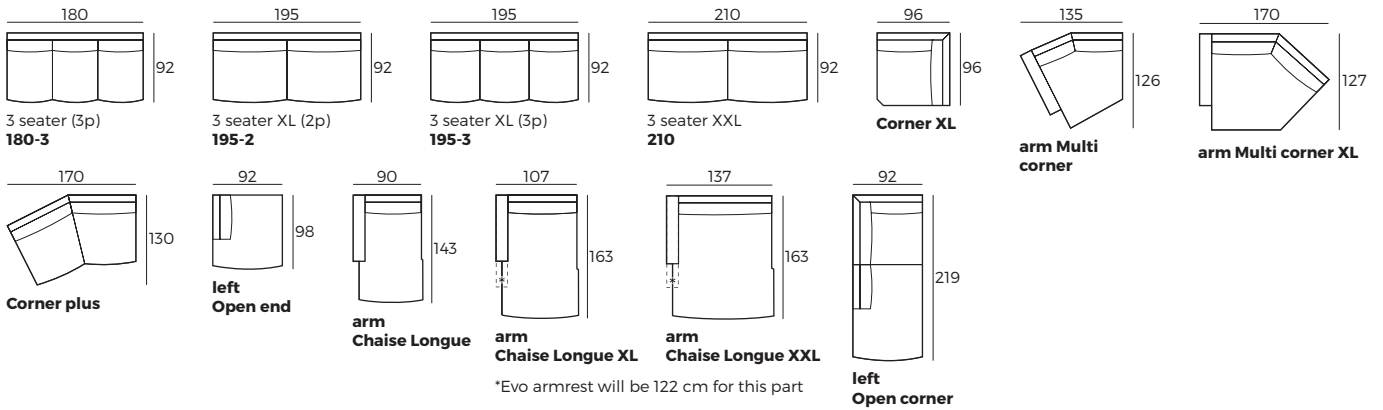
Scale 1:100



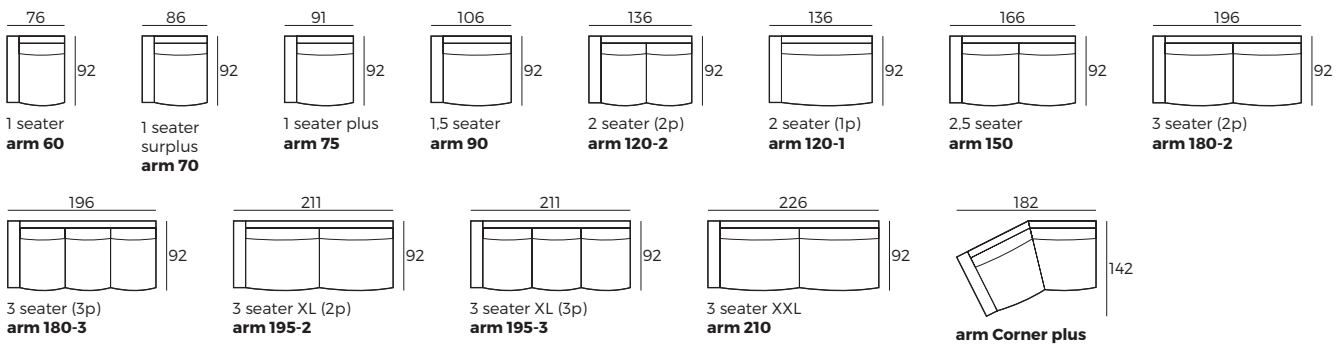
# NORDIC

## Modules (Measurements with SHARE armrest)

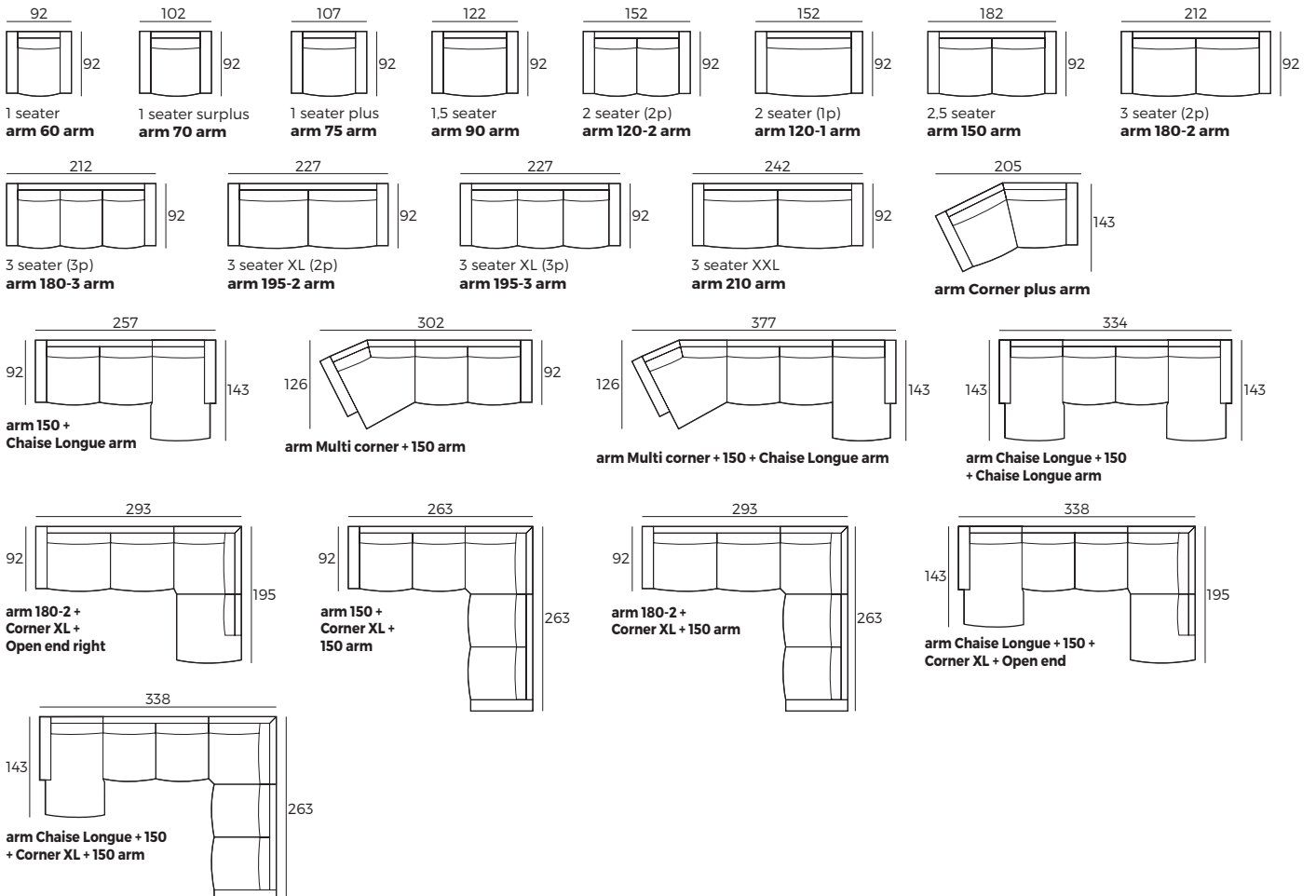
Scale 1:100



## Modules with armrest (Measurements with SHARE armrest)



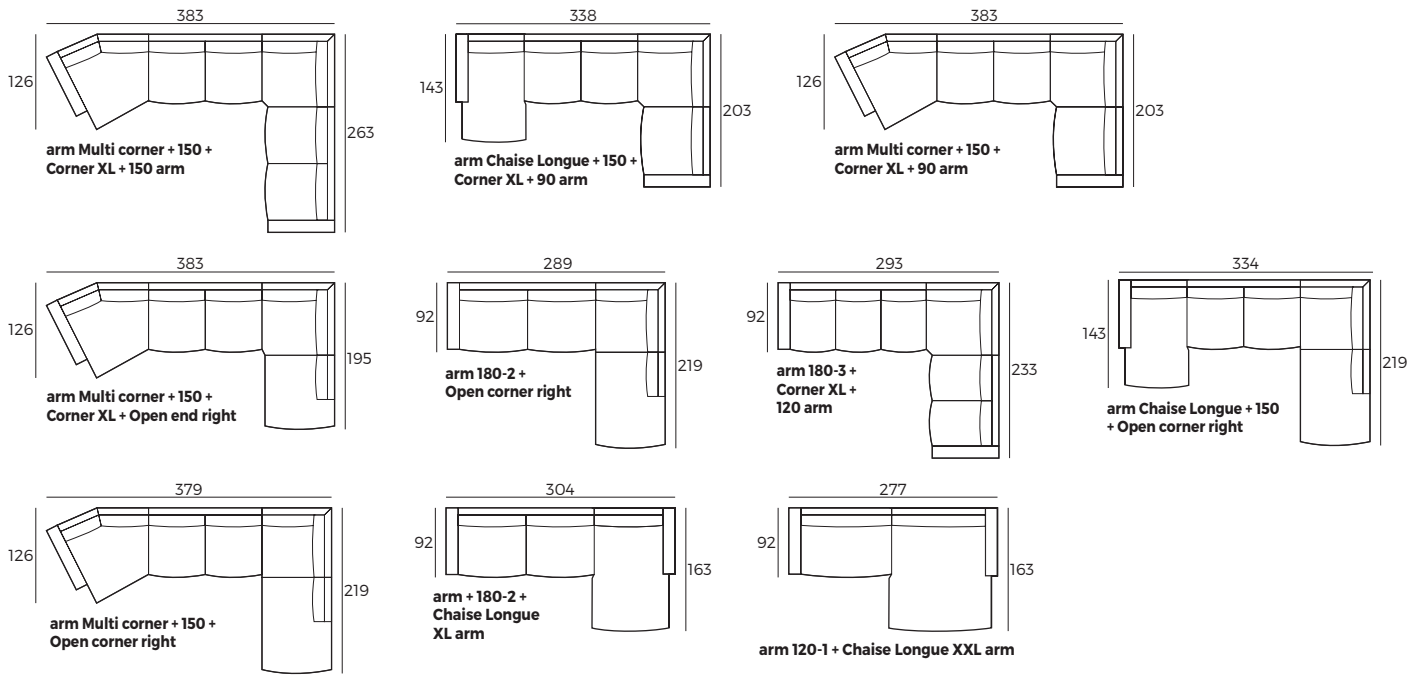
## Combinations (Measurements with SHARE armrest)



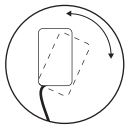
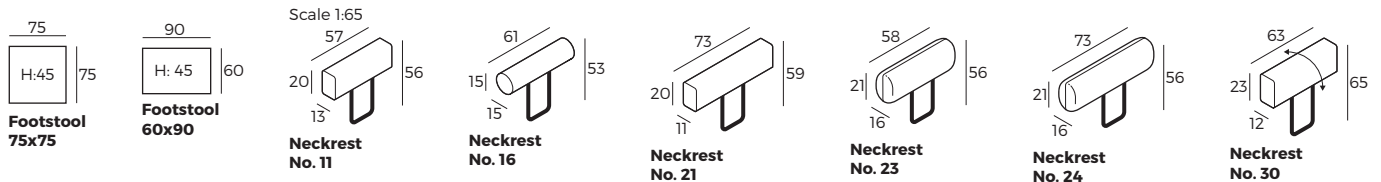
# NORDIC

## Combinations (Measurements with SHARE armrest)

Scale 1:100



## Accessories



With click-clack function