

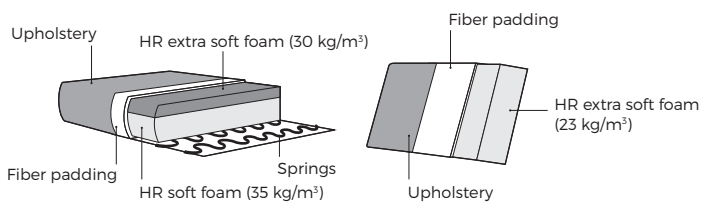
Nordic



Nordic



Comfort

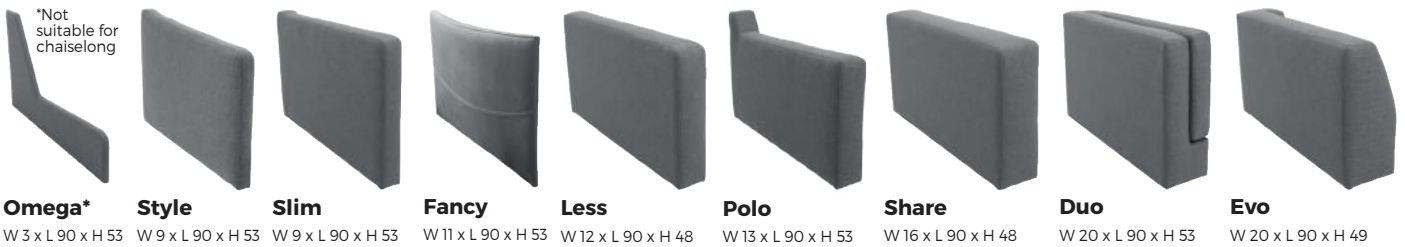


1. Upholstery



* Leather covers may require more stitches than fabric covers.

2. Armrests



3. Legs

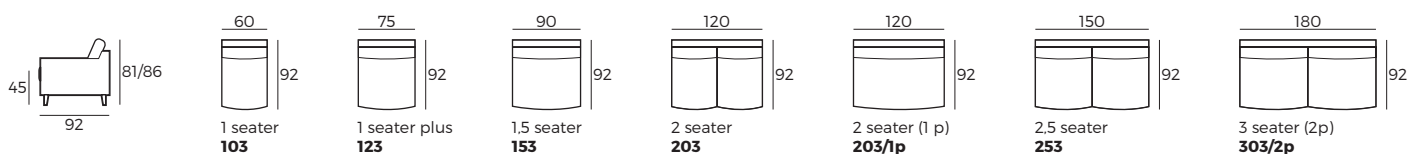


IMPORTANT:

Upholstered furniture is handmade using soft materials therefore measurements may vary up to +/- 5 cm.
Parts and sets shown in 2D drawings are left-sided. Parts and sets can be mirrored from left to right.

Single parts (Measurements with Share armrest)

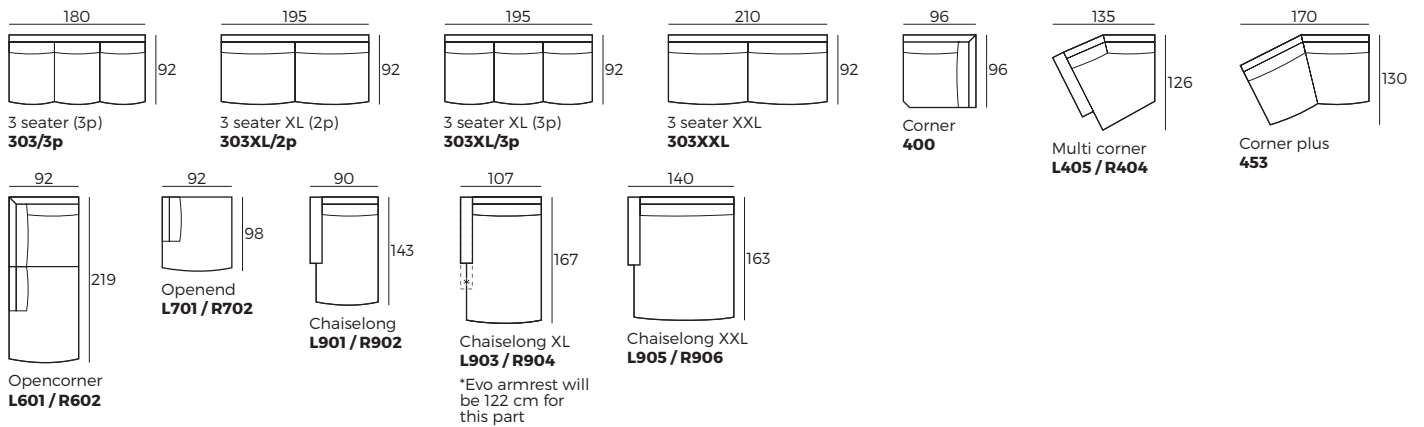
Scale 1:100



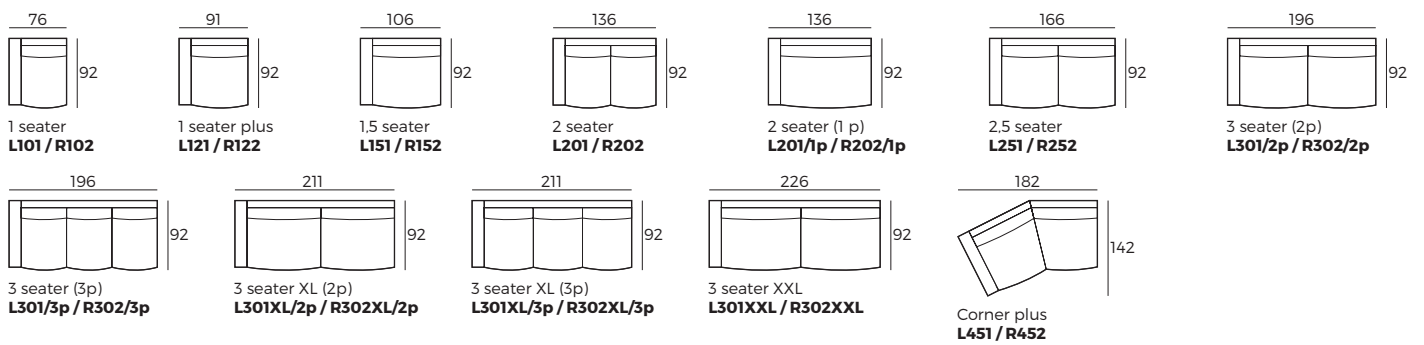
Nordic

Single parts (Measurements with Share armrest)

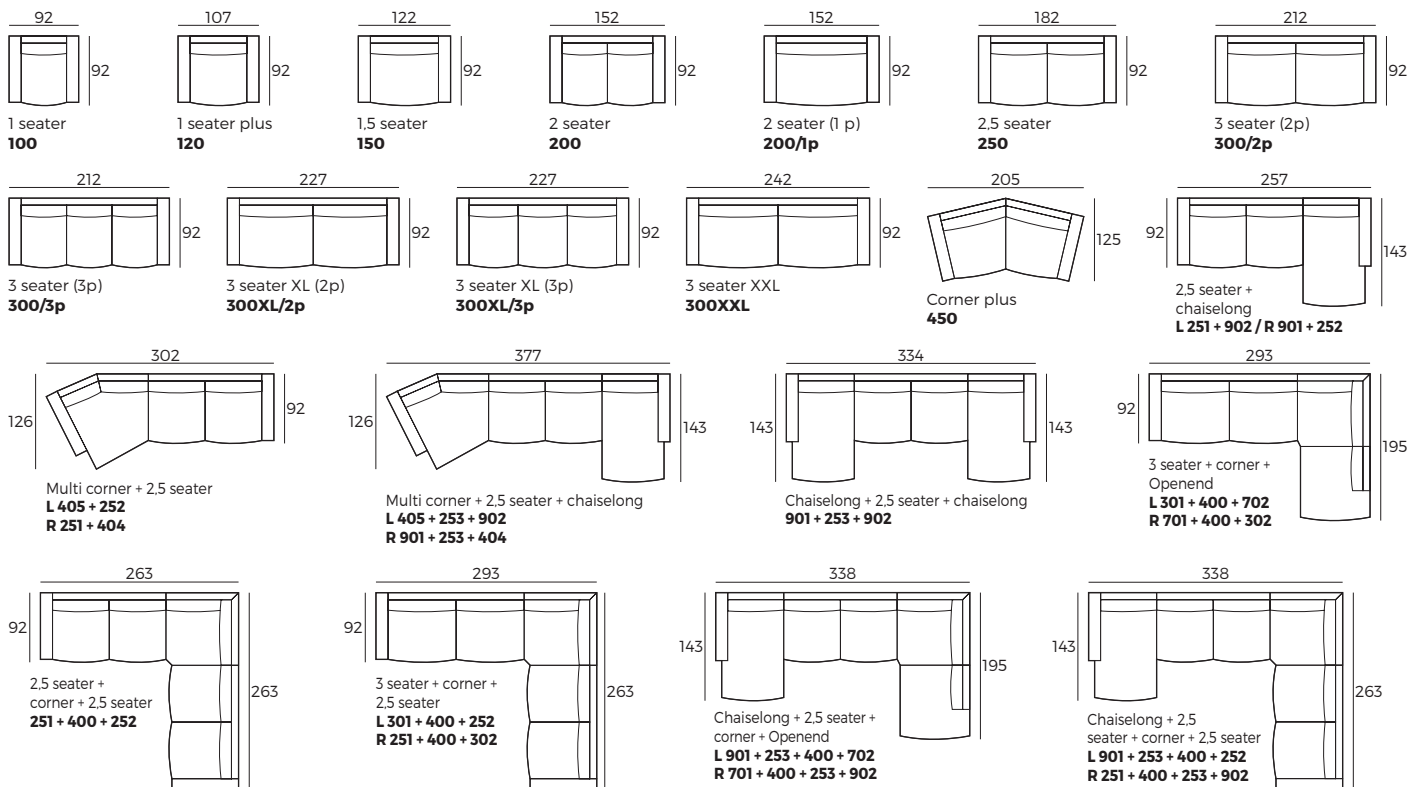
Scale 1:100



Half sets (Measurements with Share armrest)



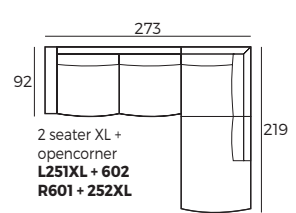
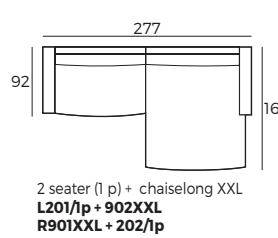
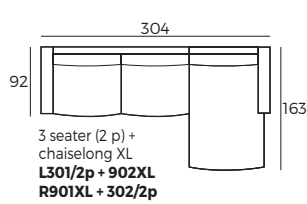
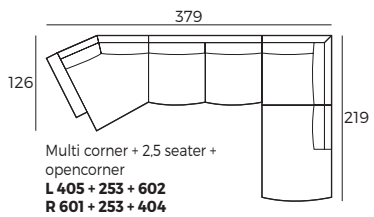
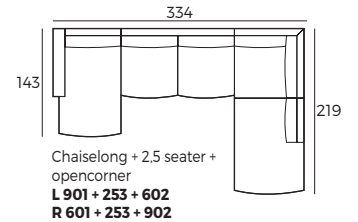
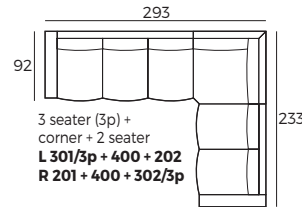
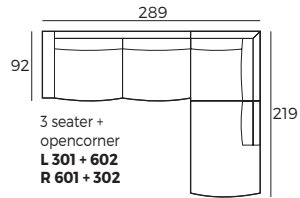
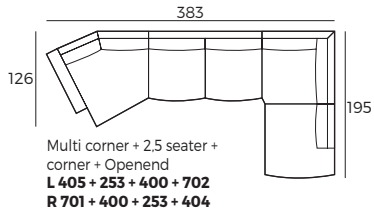
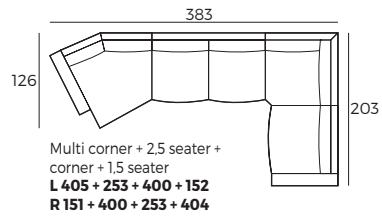
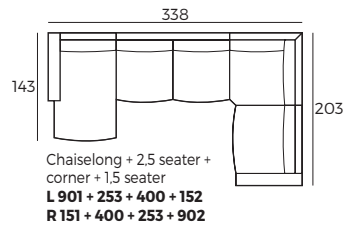
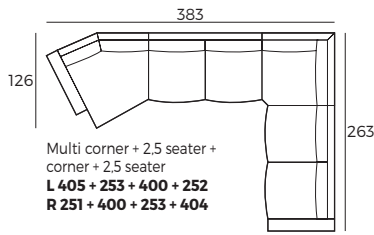
Sets (Measurements with Share armrest)



Nordic

Sets (Measurements with Share armrest)

Scale 1:100



Accessories

