

NORDIC



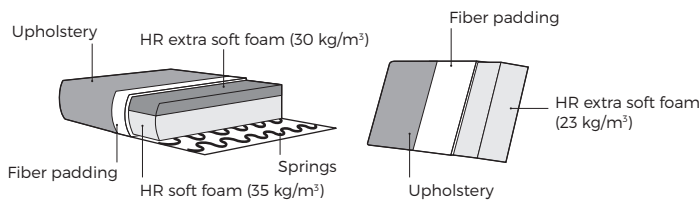
VILMERS

NORDIC



Comfort

1. Upholstery



Leather*



Fabric

* Leather upholstery may require more stitches than fabric upholstery.

2. Armrests



*Not suitable for Chaise Longue

3. Legs

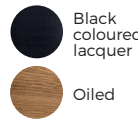


385 Black metal

387 Black metal

191 White oiled

529 White oiled



Oiled

256 Metal

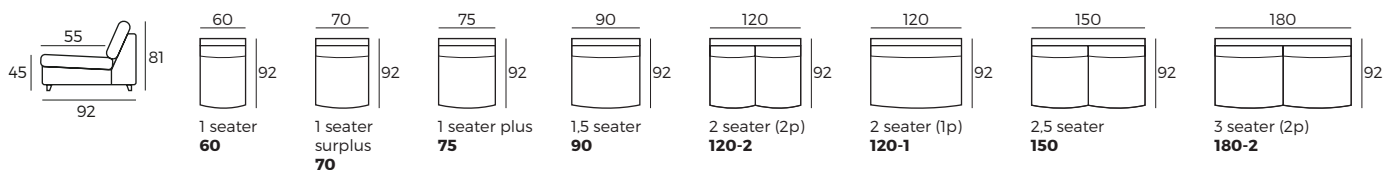
444 Black metal

IMPORTANT:

Upholstered furniture is handmade using soft materials, therefore measurements can vary in all modules by up to +/-2 cm. Modules and combinations shown in 2D drawings are left-sided. Modules and combinations can be mirrored from left to right. For an additional fee, the sides of each seater module can be covered in fabric.

Modules (Measurements with SHARE armrest)

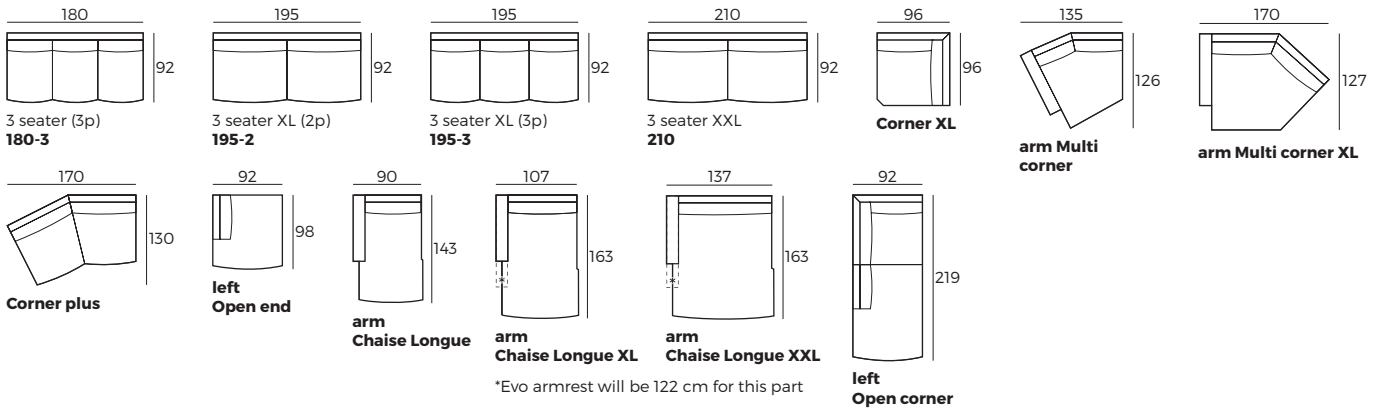
Scale 1:100



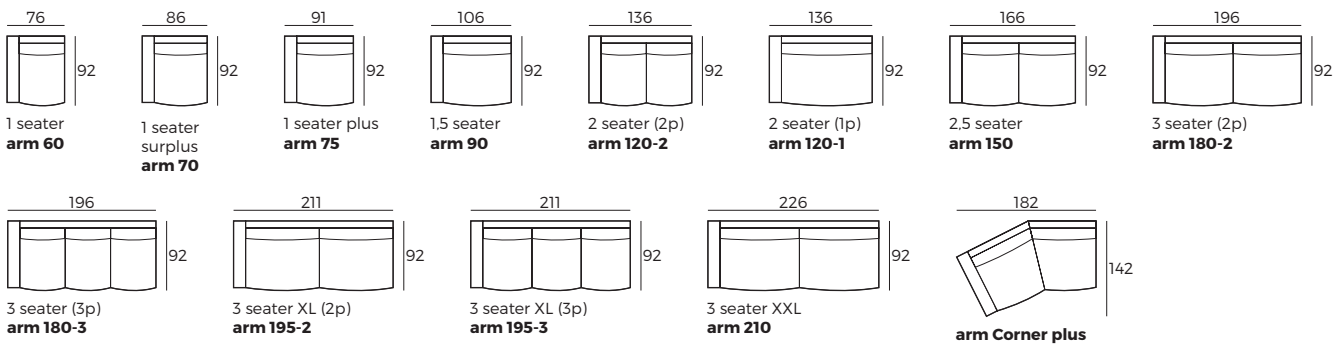
NORDIC

Modules (Measurements with SHARE armrest)

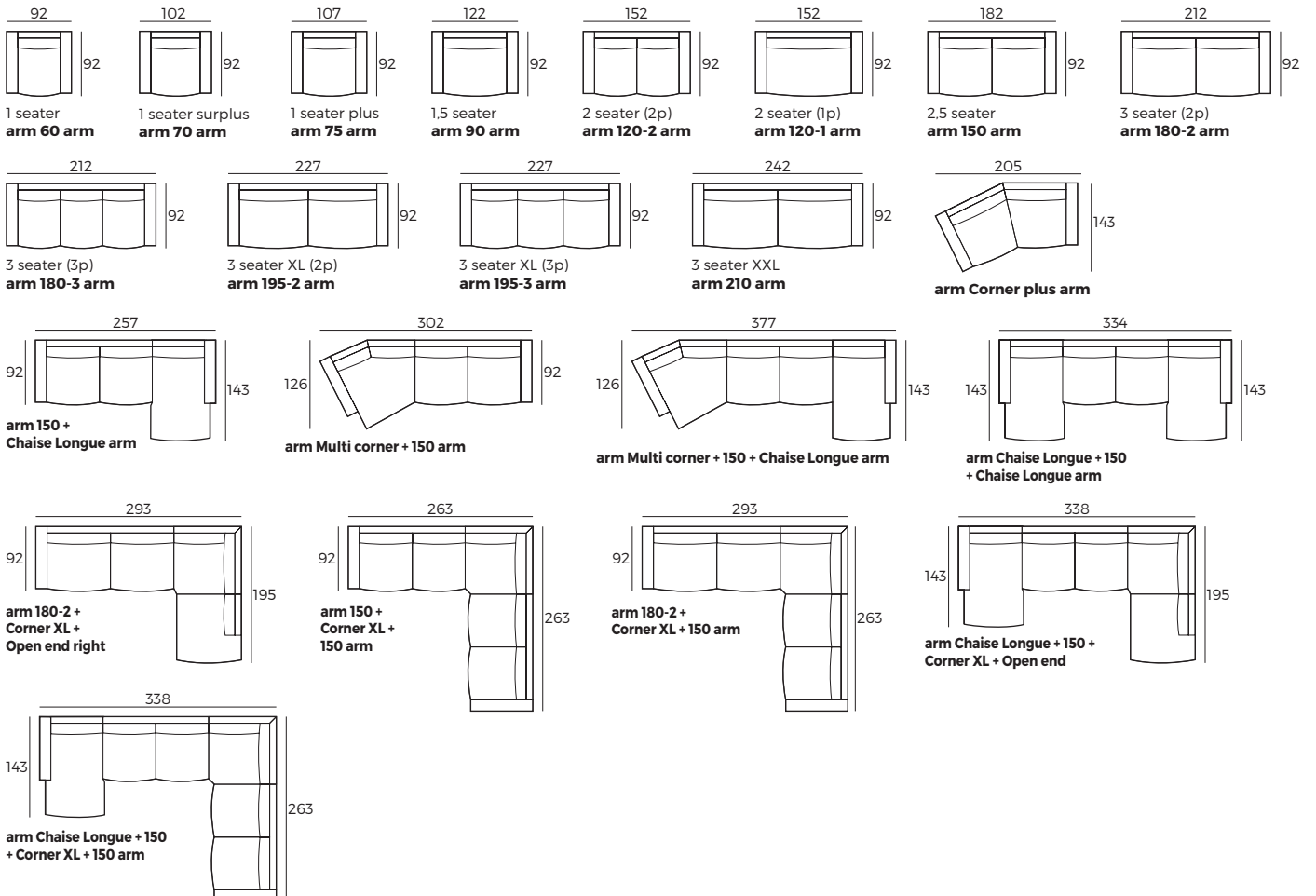
Scale 1:100



Modules with armrest (Measurements with SHARE armrest)



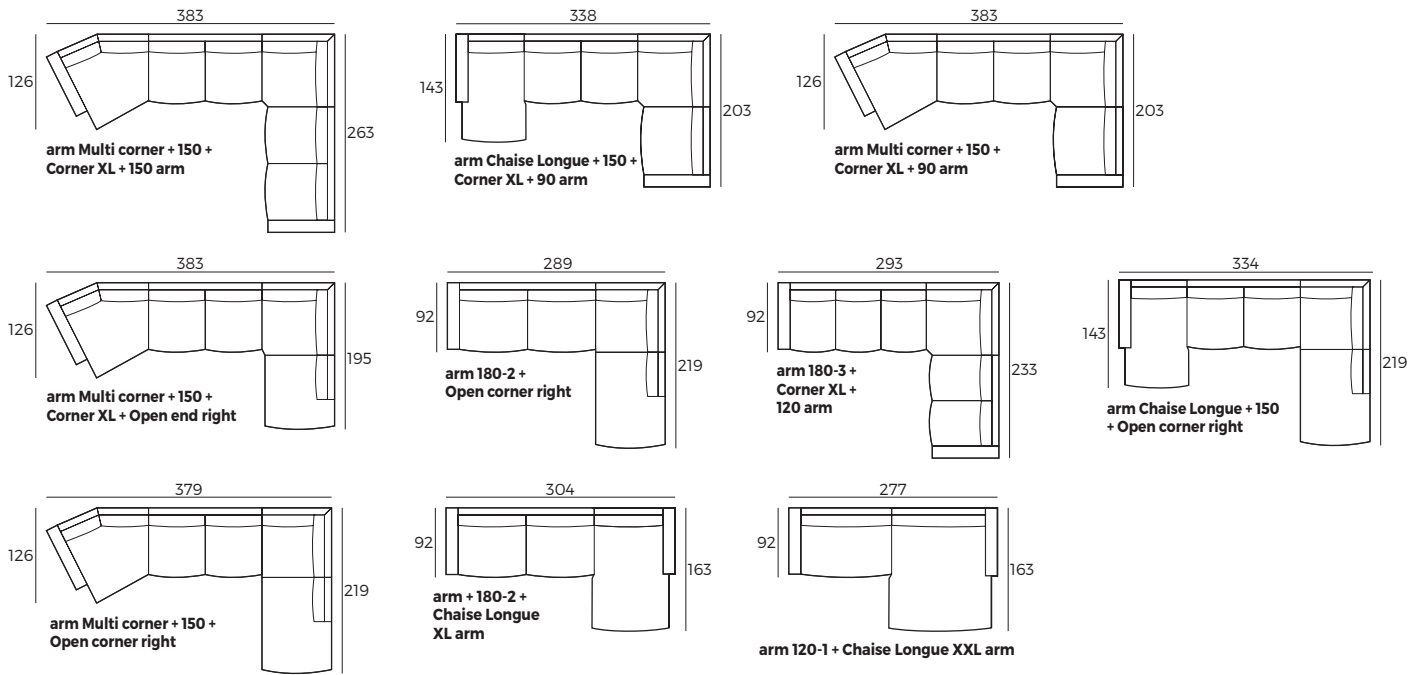
Combinations (Measurements with SHARE armrest)



NORDIC

Combinations (Measurements with SHARE armrest)

Scale 1:100



Accessories

