

MORE

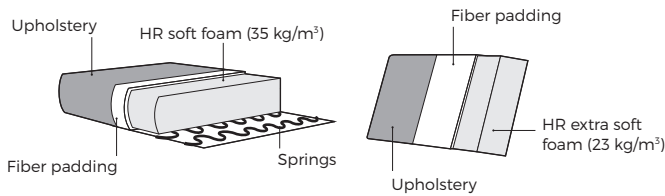


VILMERS

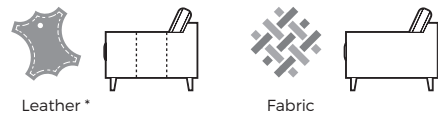
MORE



Comfort



1. Upholstery



* Leather upholstery may require more stitches than fabric upholstery.

2. Armrests



3. Legs



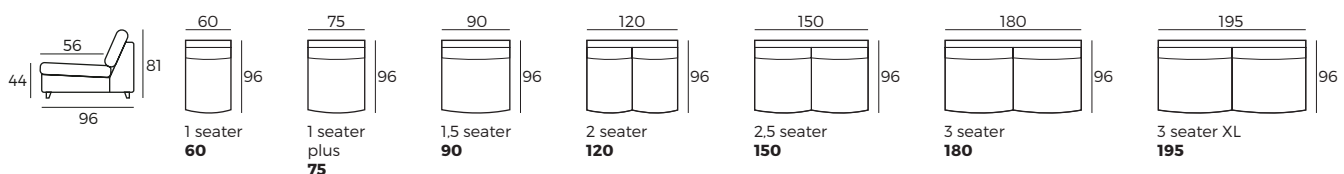
* The height of all legs can be either 6 cm or 8 cm.

IMPORTANT:

Upholstered furniture is handmade using soft materials, therefore measurements can vary in all modules by up to **+/-2 cm**.
 Modules and combinations shown in 2D drawings are left-sided. Modules and combinations can be mirrored from left to right.
 For an additional fee, the sides of each seater module can be covered in fabric.

Modules (Measurements with GRANDE armrest)

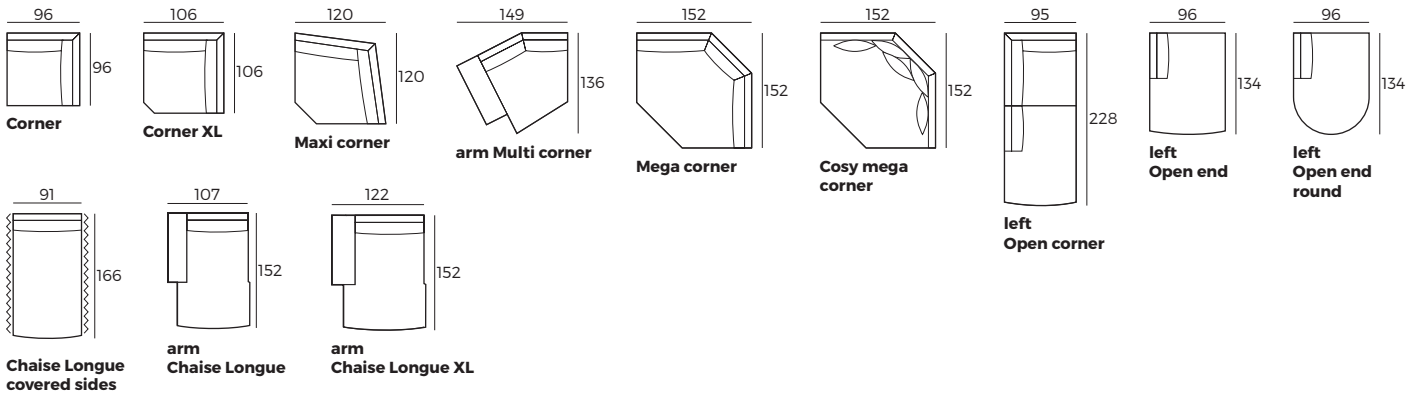
Scale 1:100



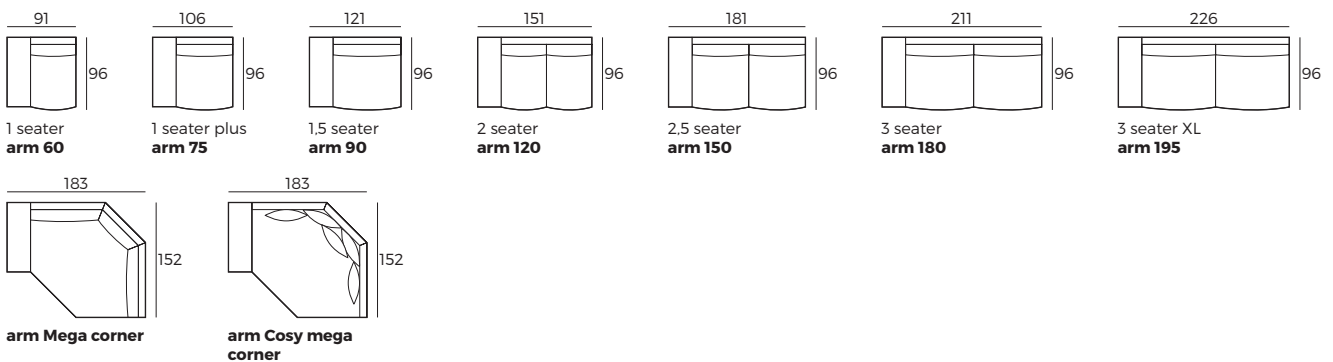
MORE

Modules (Measurements with GRANDE armrest)

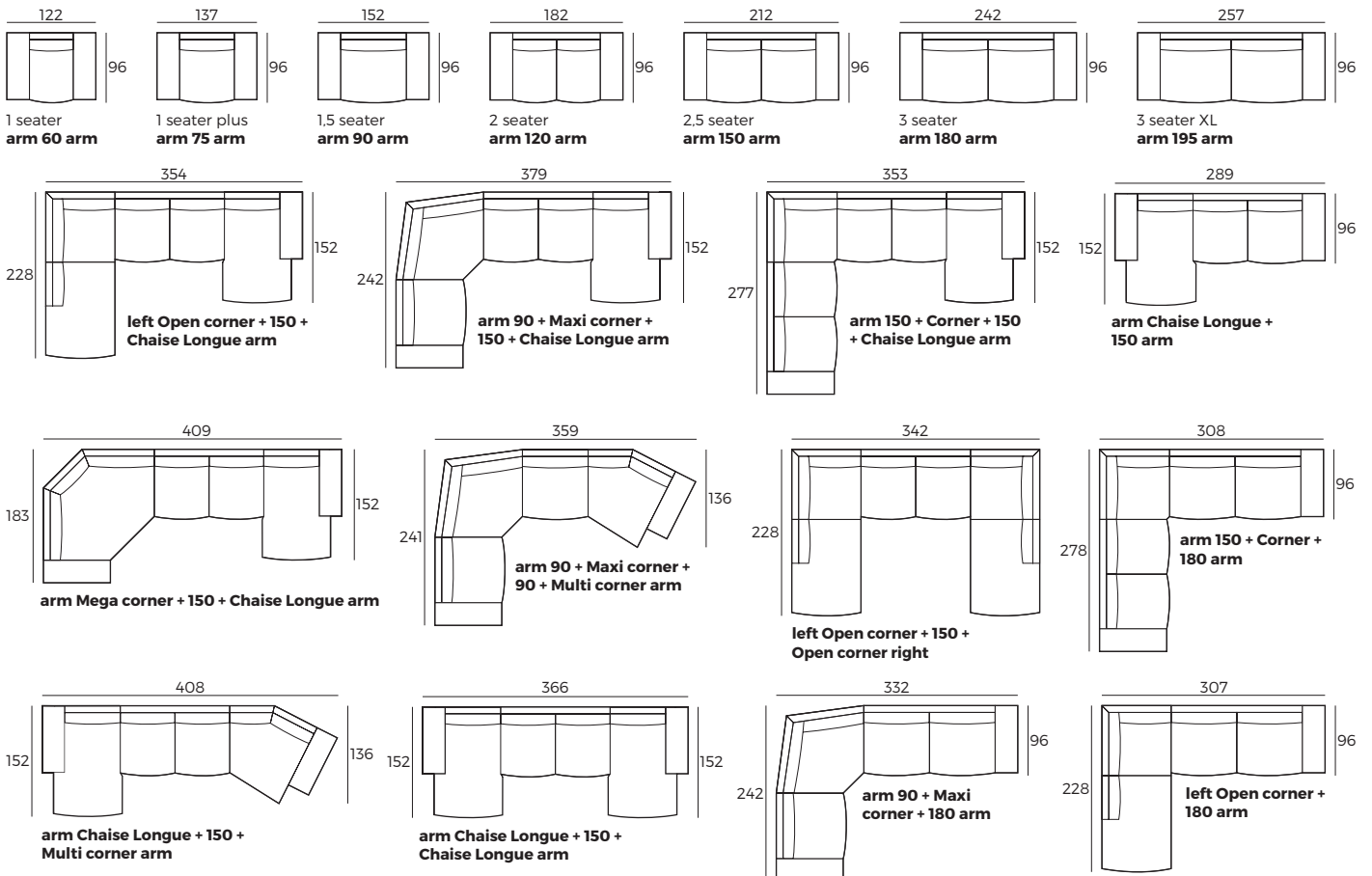
Scale 1:100



Modules with armrest (Measurements with GRANDE armrest)



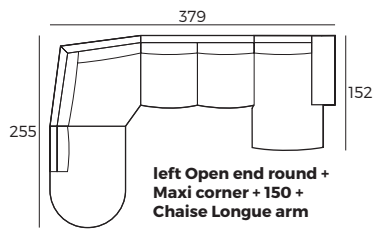
Combinations (Measurements with GRANDE armrest)



MORE

Combinations (Measurements with GRANDE armrest)

Scale 1:100



Accessories

